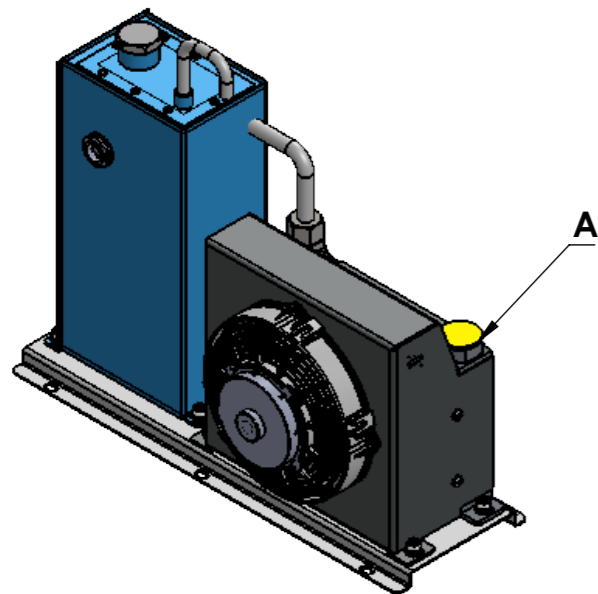
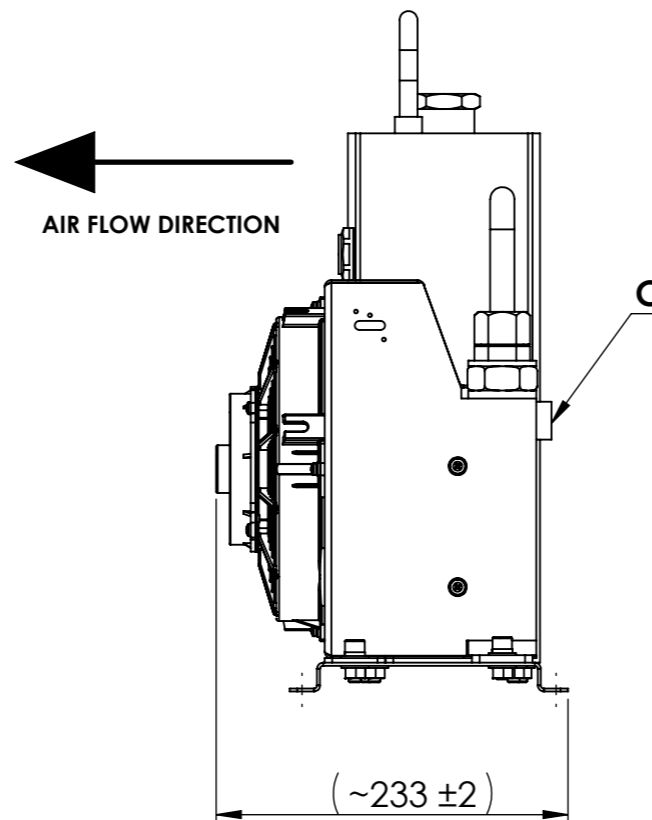
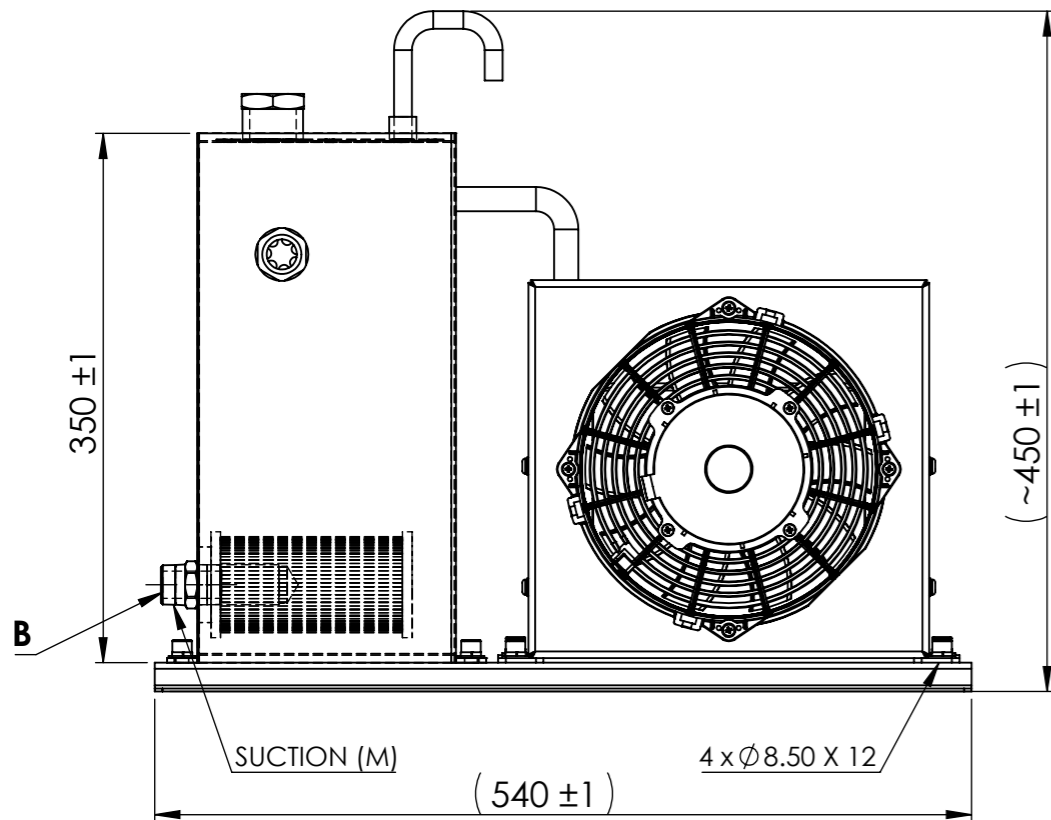


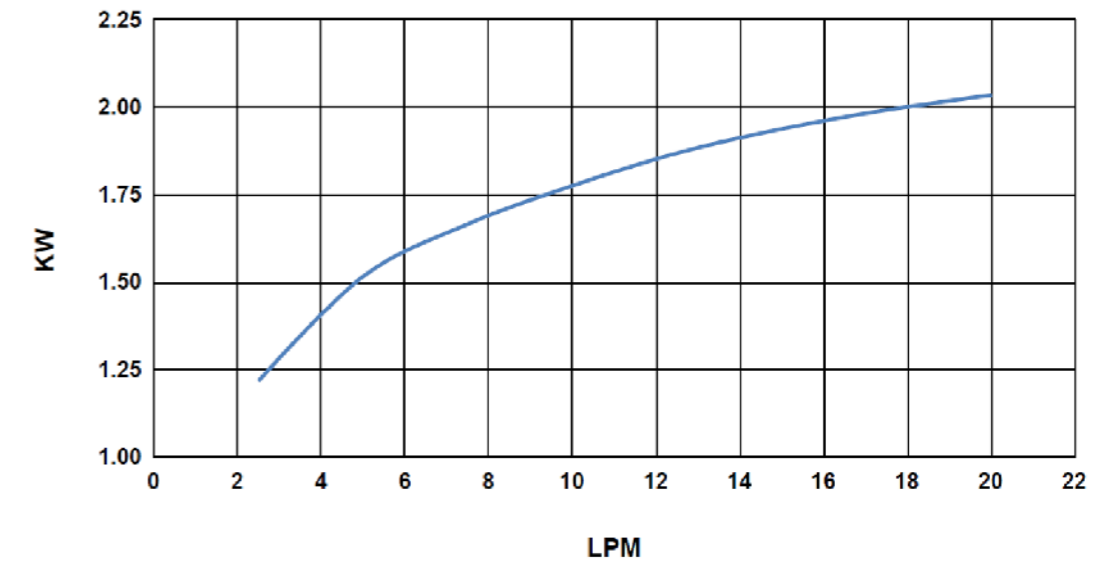
**SPECIFICATION**

OIL FLOW (LPM)	FAN SIZE INCH (mm)	No. OF FANS	PHASE	POWER SOURCE	VOLTAGE (V)	FREQUENCY (Hz)	CURRENT (A)	NOISE (dBA)
20	8" (200)	1		DC	24		02.2	

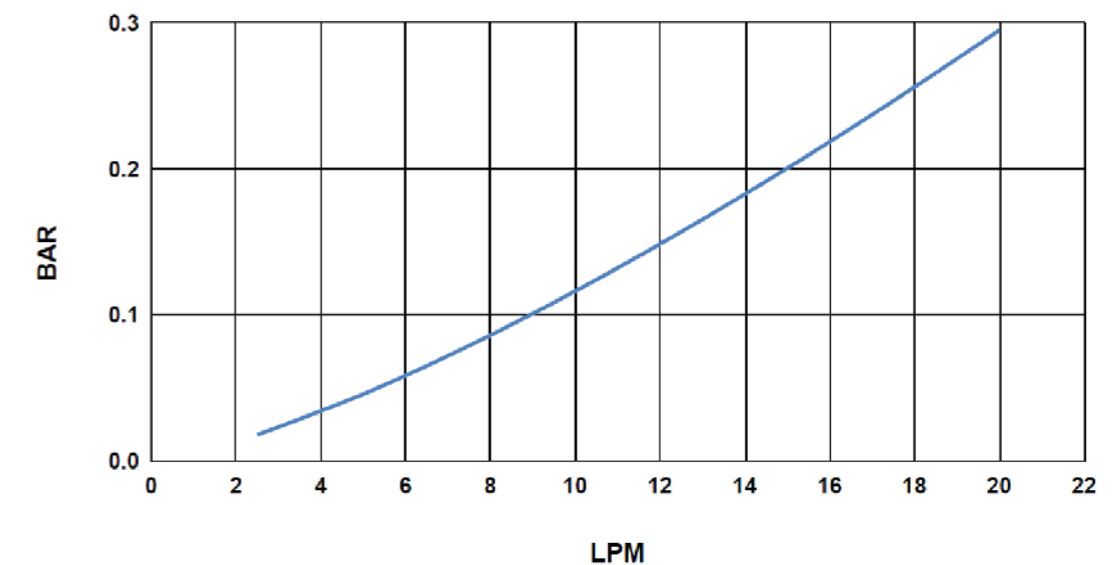


CONNECTIONS		
A	G3/4" (F)	OIL INLET
B	G3/4" (M)	OIL OUTLET
C	M14 x 1.5	THERMOSTAT

**KW vs. LPM at DELTA T of 35 Deg C**



**BAR vs. LPM**



**NOTES:**

- Air Flow Direction : Suction
- Max Working Pressure : 20 Bar
- Pressure Drop Are @ 50 °C
- Suitable For Oil, Water / Glycol
- For Any Others Fluid Contact Us
- Dimensions Are Subject To Change

ALL DIMENSIONS ARE APPROX

**AIR COOLED OIL COOLER  
MODEL: OCT-AH0808**

Scale: NTS | Apprx. Wt. -- kg | Document No. AC-0624.OCT-AH0808.04130-DS1.R0 | SHEET 1 : 1

**ACE** ACE AUTOMATION ENGINEERS  
8.2 C-164, MAYAPURI INDUSTRIAL AREA, PHASE-II, DELHI- 110064  
PH. 011-28114501, 011-28114502, sales@acefluidpower.com

OPTIONAL ACCESSORIES LIST			
S.NO.	DESCRIPTION	QTY.	REMARK
1	FIN GUARD	1	
2	DUST FILTER	1	
3	TEMP. SWITCH (FIXED)	1	
4	TEMP.SWITCH (VARIABLE)	1	
5	TEMP. DISPLAY / SWITCH	1	DIGITAL
6	THERMOCUPLE	1	
7	PRESSURE SWITCH	1	LOOSE SUPPLY
8	FLOW SWITCH	1	LOOSE SUPPLY