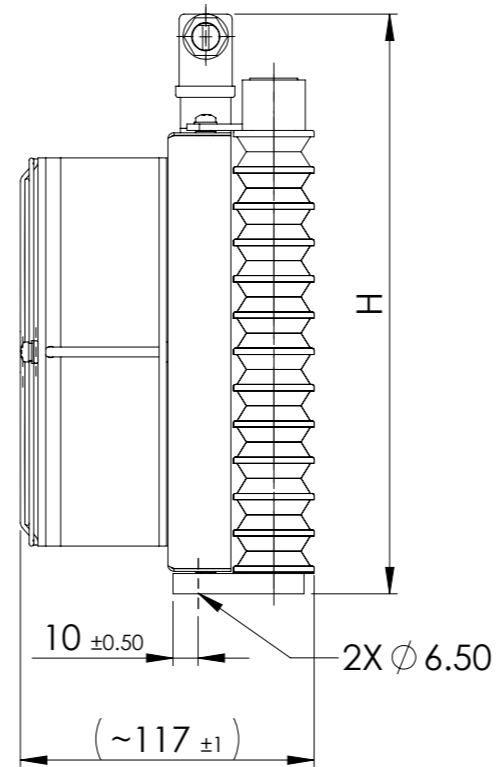
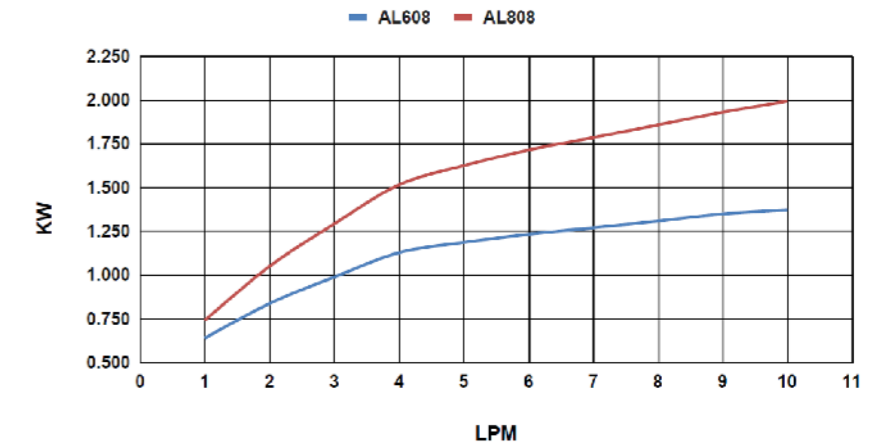


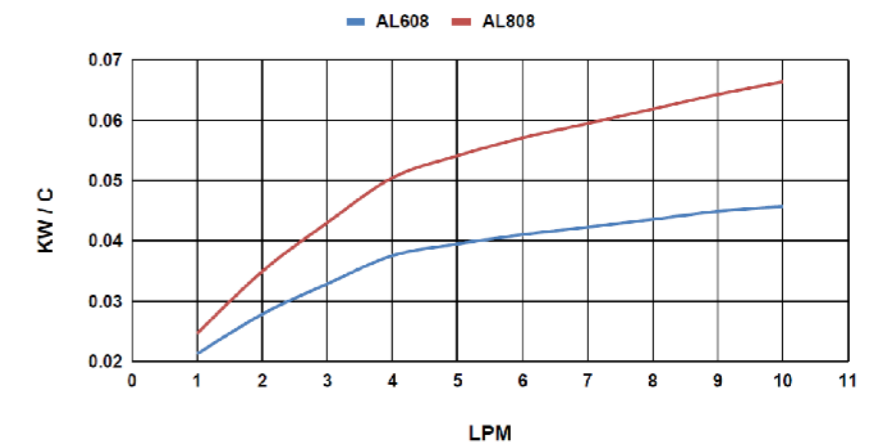
←
AIR FLOW DIRECTION



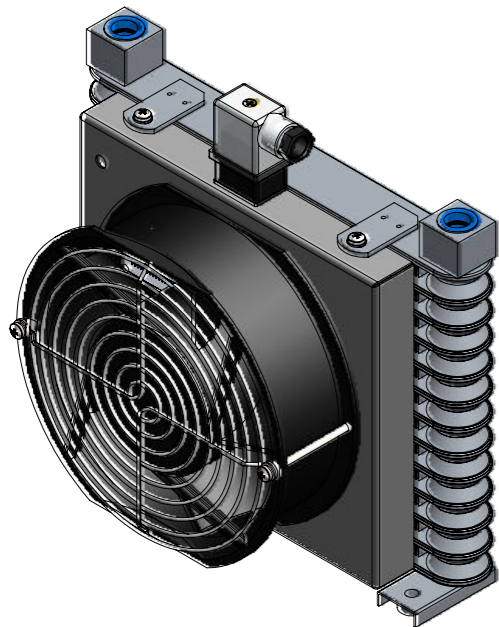
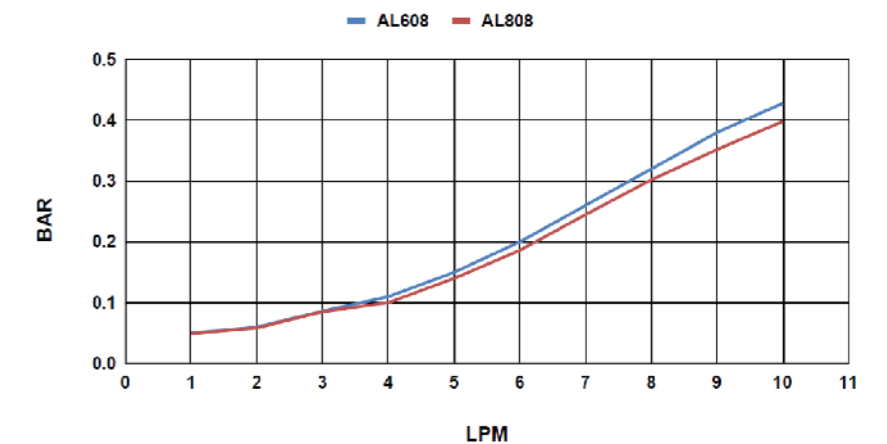
TOTAL COOLING 32cST @ ΔT = 30



SP COOLING 32cST



PRESSURE DROP BAR



CONNECTIONS		
A	G3/8"	OIL INLET / OIL INLET
OIL INLET AND OUTLET CONNECTION CAN BE INTERCHANGED		

DIMENSIONS		
	AL-608	AL-808
H	230mm	273mm

NOTES:

- Air Flow Direction : Suction*
- Suitable For Oil, Water / Glycol
- For Any Others Fluid Contact Us
- Dimensions Are Subject To Change
- * Push Available On Request

OPTIONAL ACCESSORIES LIST			
S.NO.	DESCRIPTION	QTY.	REMARK
1	FIN GUARD	1	
2	DUST FILTER	1	

ALL DIMENSIONS ARE APPROX

AIR COOLED OIL COOLER
MODEL: AL608, AL808

Scale: NTS Apprx. Wt. -- kg Document No. AC-0624.AL608/AL808.02928-DS1-RA SHEET 1 : 1

ACE **ACE AUTOMATION ENGINEERS**
C-164, MAYAPURI INDUSTRIAL AREA, PHASE-II, DELHI- 110064
PH. 011-28114501, 011-28114502, sales@acefluidpower.com